

Single flap ventilator 140°

The Mono Therma 140 is a single flap ventilator suited for smoke & heat extraction, daily ventilation and roof access. The ventilator is highly air and watertight with countless options available in terms of the base and flaps, as well as numerous operating systems and accessories.

Sizes

- 1100mm x 1100mm - 1.0m²
- 1300mm x 1300mm - 1.5m²
- Other sizes on request



Smoke Extract Option



Roof Access Option

Materials and insulation value

The Delta Mono Therma 140 is made of high quality aluminium, and supplied as standard with a completely corrosion-resistant, mill finish. If required, the Mono Therma 140 can also be supplied with a powder coat finish. Glazed and polycarbonate flaps are also available.

The cold bridge-free Mono Therma 140 TG fitted with a thermally separated base and flaps offers a high level of durability. In the event that sound insulation is also required, two fully acoustic versions of the Mono Therma 140 TG model are available, which have Rw values of 34 dB and 44 dB.

Materials

Base and flanges: Sea water and corrosion-resistant EN AW 5754 (AlMg3) sheet aluminium is used in the Mono Therma 140 AT models; the Mono Therma 140 TG models are made of EN AW 606035 (AlMgSi0,5) extruded profile sections which are thermally separated.

Sealing: All-round, using coated EPDM rubbers, which prevent freezing while guaranteeing a high level of airtightness.

Hinges: Stainless steel.

Flaps: With or without thermal separator
Choice of: uninsulated or mineral wool-insulated aluminium flap, 16 to 55 mm transparent multi-wall polycarbonate filler, single safety glass, insulated safety glass, or a high quality acoustically insulated flap.

Finishing: Standard blank aluminium or coated in a standard RAL colour.

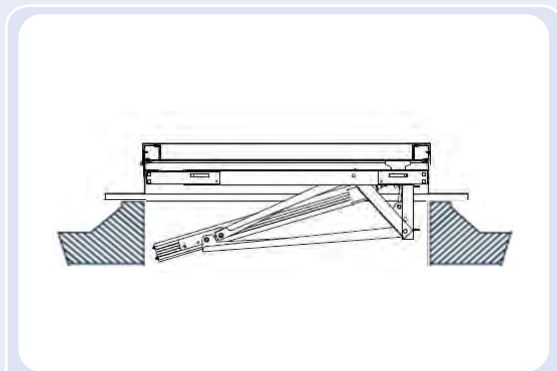
Controls

M: Motor operation

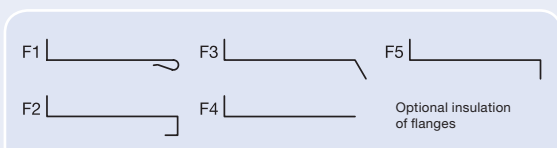
Optional: **B:** including fire function **FS:** failsafe

Accessories

- Bird or insect mesh
- Fall protection
- Burglary prevention features
- Insulated flanges
- RAL colour / Anodised



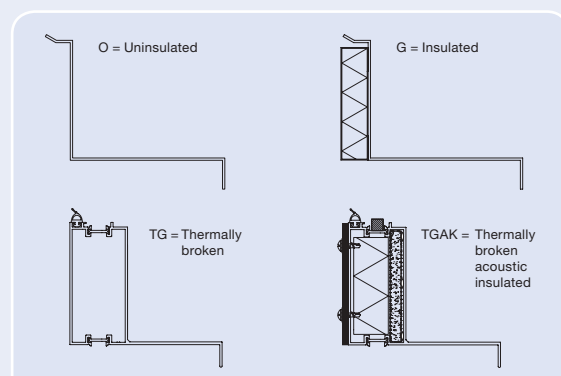
Cross section



Flanges

AT-flaps		U-value W/m ² K
	Uninsulated	6,0
	Single laminated glass	5,7
	Insulated	2,0
	Isolux 16 mm	1,8 - 2,3
TG-flaps		U-value W/m ² K
	Thermally broken insulated	2,0
	Thermally broken Isolux 16 mm	1,8 - 2,3
	Thermally broken laminated insulation glass	1,1 - 2,8
	Thermally broken Isolux 55 mm	1,0
	Thermally broken acoustic insulated	0,9

Flaps



Base

For more information please refer to our website: www.deltavent.com
To contact us either call +44 (0)23 9286 3888 or email info@deltavent.com